

## OC-T75 75°C heat detector

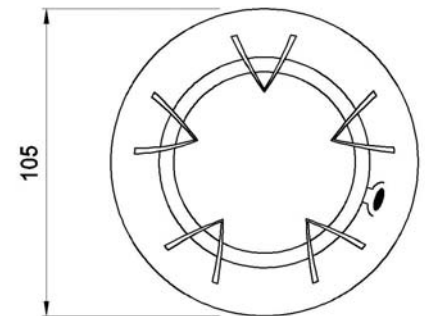
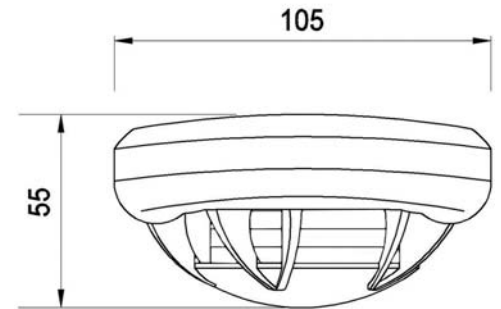
**OC-T75** is a punctual conventional thermostatic heat detector, certified in respect of European product standard EN 54-5. It is endowed with agreement CE mark according to ZA directive enclosure "The Construction Products" 89/106/CEE.

**OC-T75** detector is compliant to European directive 2002/95/CE, concerning the use of dangerous substances inside electrical products, in particular about the use of lead.

**OC-T75** heat detector analyses the resistance of a thermosensible device (NTC) due to the ambiance temperature variations.

**OC-T75** T = 75°C ± 5°C (BS class of EN54-5).

**OC-T75** is connected to detection panel by the **EO** base.



### TECHNICAL CHARACTERISTICS

Power Supply:	15 ÷ 27 Vdc
Standby Consumption:	20 ÷ 30 µA
Alarm Consumption:	32 mA ± 2 mA @ 20 Vdc
Cable:	2x0.8 mm STP
Dimensions (ØxH):	105 x 55 mm
Application Temp.:	-30 °C ÷ +60 °C
IP Protection:	IP32
Material:	ABS
Colour:	White RAL 9016
Weight:	130 g
Standard:	EN 54-5
CE Certificate:	0333 CPD 075 017